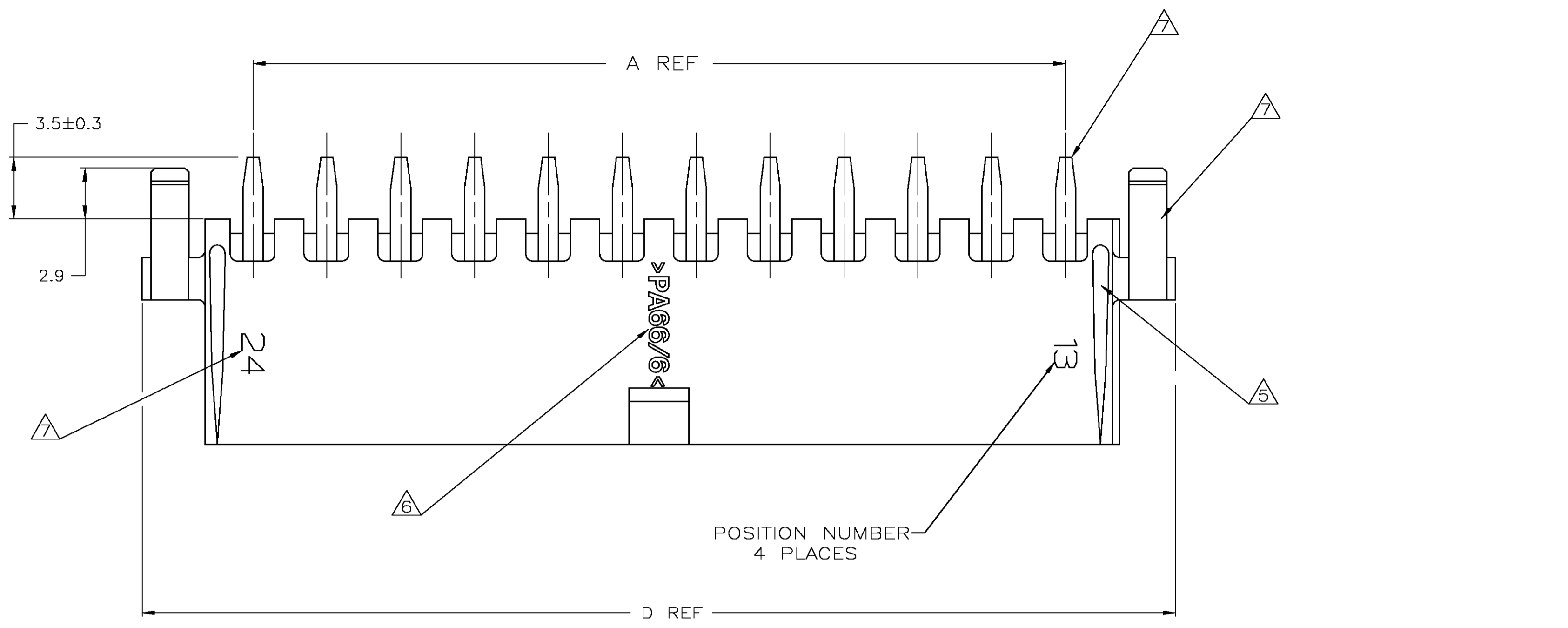
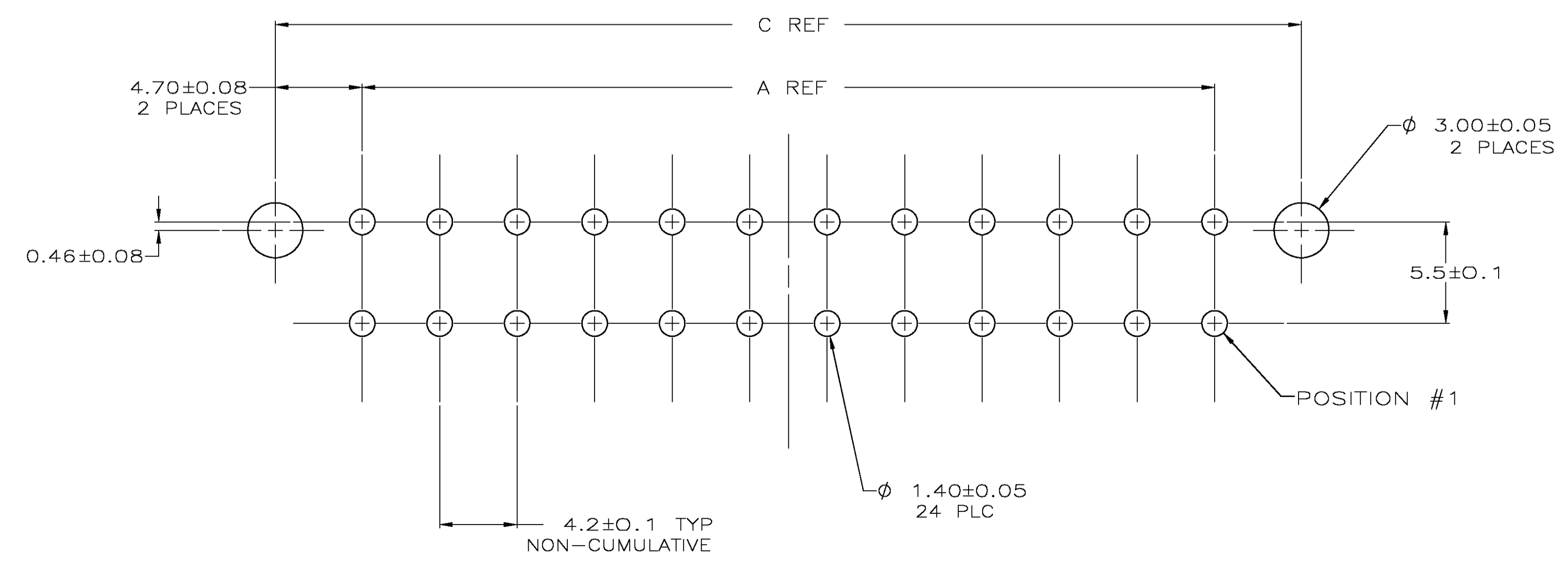
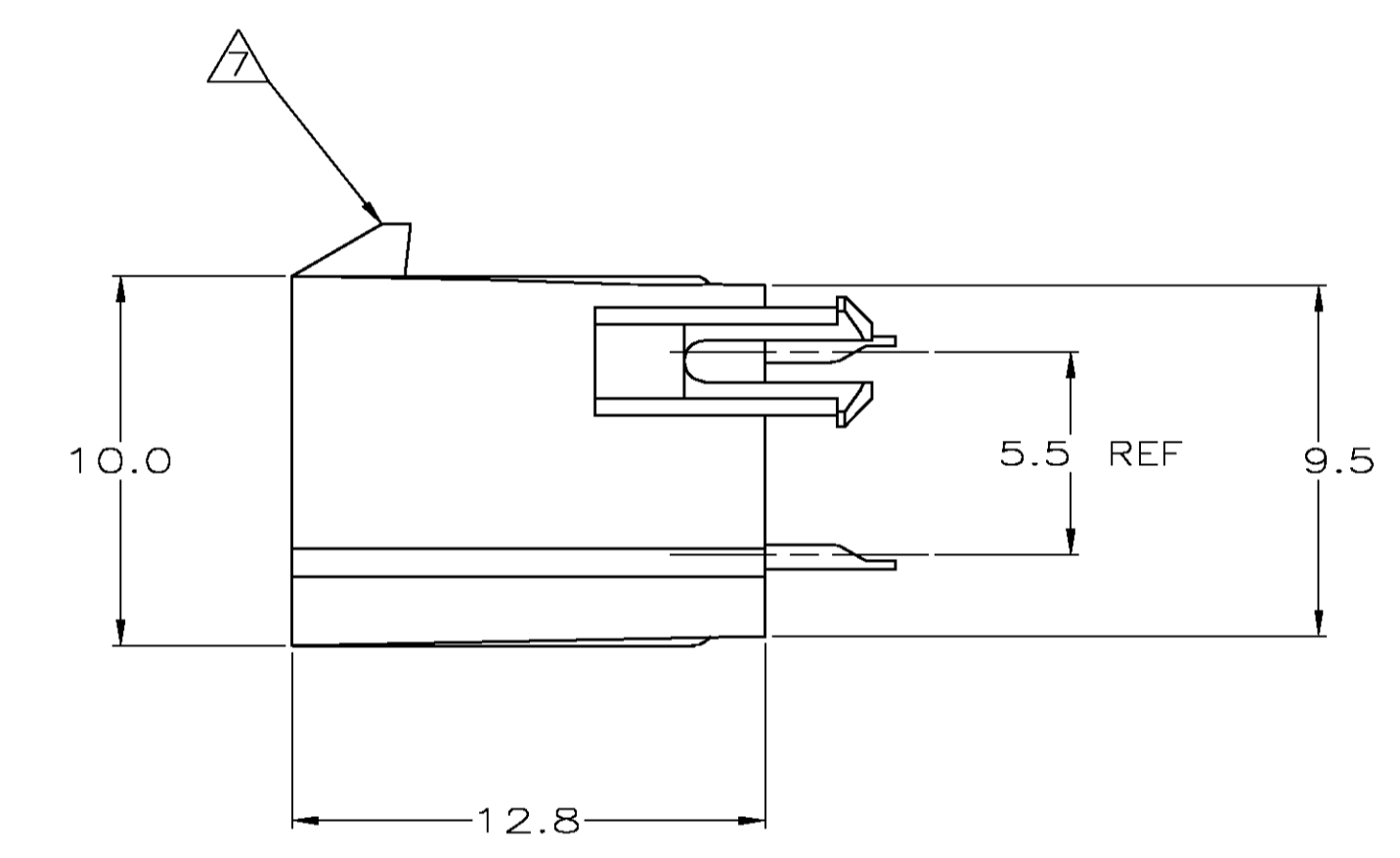
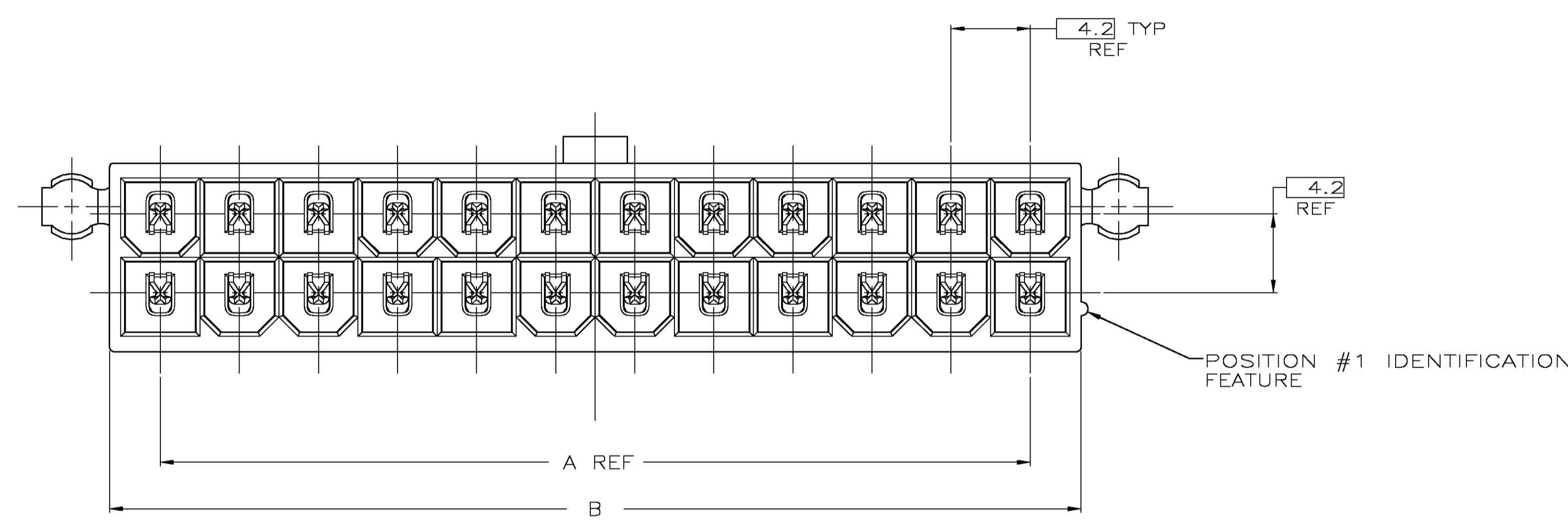


LOC		DIST		REVISIONS			
P	LR	DESCRIPTION	DATE	DN	APPD		
0		REVISED PER 063B-1111-04	21JUN05	KW	DC		



- △ MATERIAL: HOUSING - NYLON, UL94V-0 (COLOR - WHITE, COLOR OF PARTS MAY VARY).  
CONTACTS - 0.25 THK COPPER ALLOY.
- △ CONTACT FINISH: 0.00076 MIN THK GOLD PLATE ON PIN MATING SURFACE, 0.003 MIN THK TIN PLATE ON SOLDER TAIL, ALL OVER 0.00127 MIN THK NICKEL BASE PLATE.
- 3. SOLDER TAIL MEETS AMP SOLDERABILITY SPECIFICATION 109-11-2.
- 4. MATES WITH SIMILARLY PLATED AMP-DUAC™ POWER CONNECTOR RECEPTACLE HOUSINGS/SOCKET CONTACTS.
- △ RIBS ON FOUR CORNERS OPTIONAL.
- △ AMP LOGO AND MATERIAL ID MAY BE LOCATED ON EITHER LONG SIDE OF PART.
- △ SIZE, SHAPE OR STYLE OF THIS FEATURE MAY VARY.



RECOMMENDED MOUNTING HOLE PATTERN  
 FOR 1.78 MAX THICK P.C. BOARD  
 COMPONENT SIDE SHOWN

58.8	55.6	51.6	46.2	24	2-1586494-4
54.6	51.4	47.4	42.0	22	2-1586494-2
50.4	47.2	43.2	37.8	20	2-1586494-0
46.2	43.0	39.0	33.6	18	1-1586494-8
42.0	38.8	34.8	29.4	16	1-1586494-6
37.8	34.6	30.6	25.2	14	1-1586494-4
33.6	30.4	26.4	21.0	12	1-1586494-2
29.4	26.2	22.2	16.8	10	1-1586494-0
25.2	22.0	18.0	12.6	8	1586494-8
21.0	17.8	13.8	8.4	6	1586494-6
16.8	13.6	9.6	4.2	4	1586494-4
12.6	9.4	5.4	0.0	2	1586494-2
D	C	B	A	NO. OF POSITIONS	PART NO

METRIC

THIS DRAWING IS A CONTROLLED DOCUMENT.

DW	K. WHITAKER	21JUN2005	Tyco Electronics Corporation Harrisburg, Pa 17105-3608
CHK	D. COLEY	21JUN2005	
APPR	D. COLEY	21JUN2005	NAME ASSEMBLY, HEADER, VERTICAL, GOLD PLATED, W/PEGS, W/O DRAIN HOLES, 94V-0,AMP-DUAC
PRODUCT SPEC	108-1699	APPLICATION SPEC	
MATERIAL	△	FINISH	△
SIZE	A1	00779	1586494
WEIGHT	-	SCALE	5:1
CUSTOMER DRAWING		SHEET	1 OF 1
		REV	0